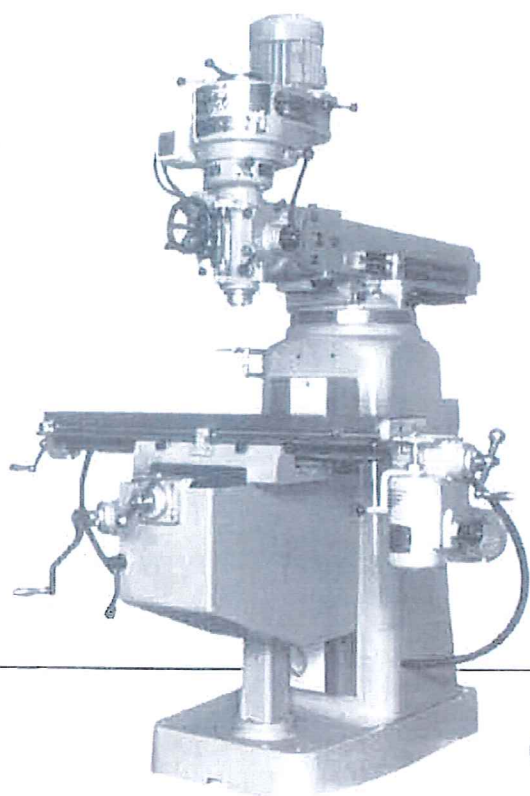


Powermill

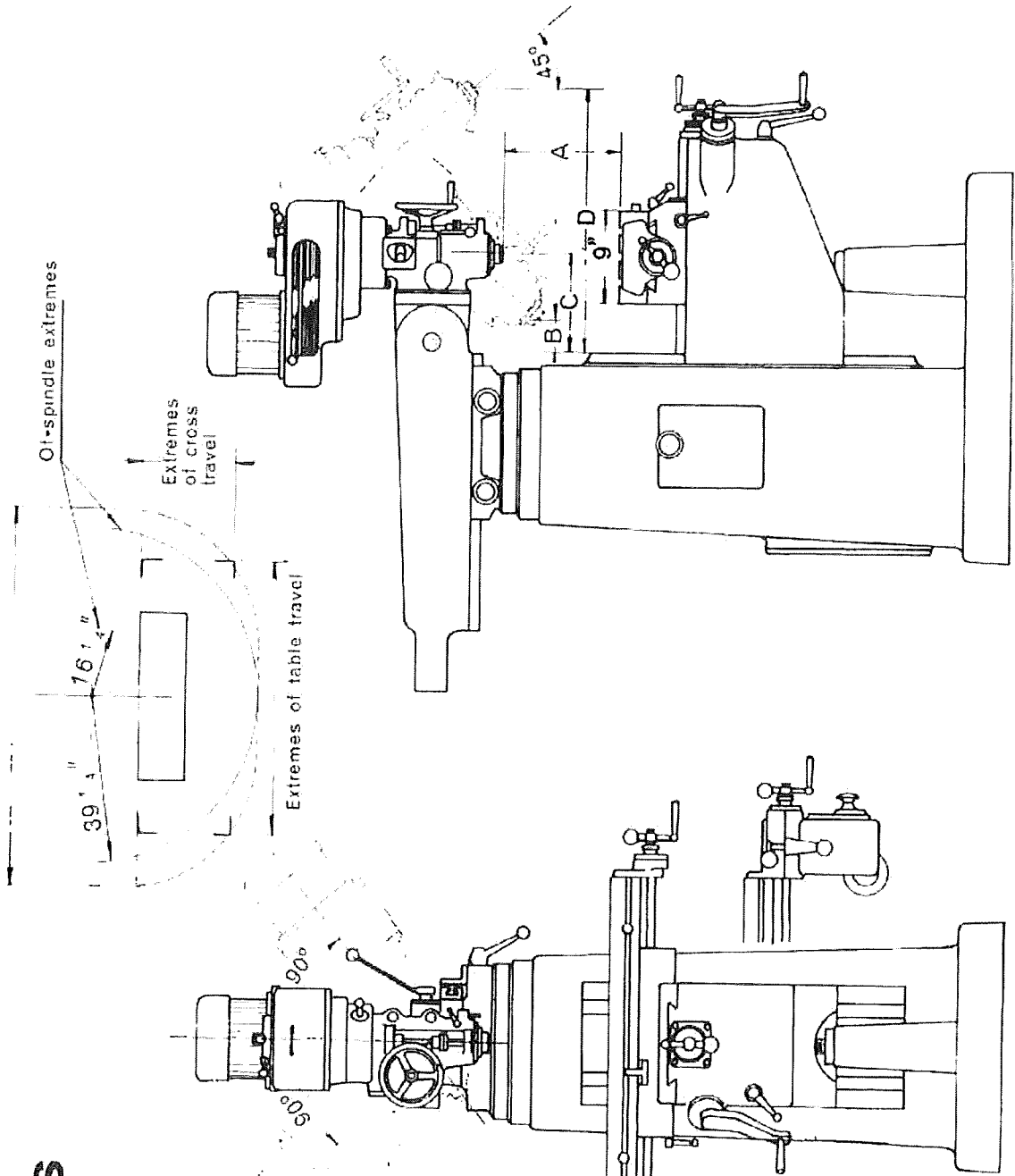
Kondia



**SERVICE AND
INSTRUCTIONS MANUAL
FOR MAINTAINING
THE VERTICAL TURRET
MILLING MACHINE**

**MODEL
FV-1**

DIMENSIONS



TRAVERSES	
Longitudinal:	
42" (1,070 mm) table	30" (762 mm)
48" (1,220 mm) table	34 1/2" (880 mm)
60" (1,525 mm) table	30" (760 mm)
Cross	15" (382 mm)
Vertical	16 1/2" (419 mm)
	MIn. Max.
A	0 18 1/2" (465 mm)
B	0 22" (560 mm)
C	6 3/4" (171 mm) 29 3/4" (755 mm)
D	8 3/4" (222 mm) 31 3/4" (805 mm)